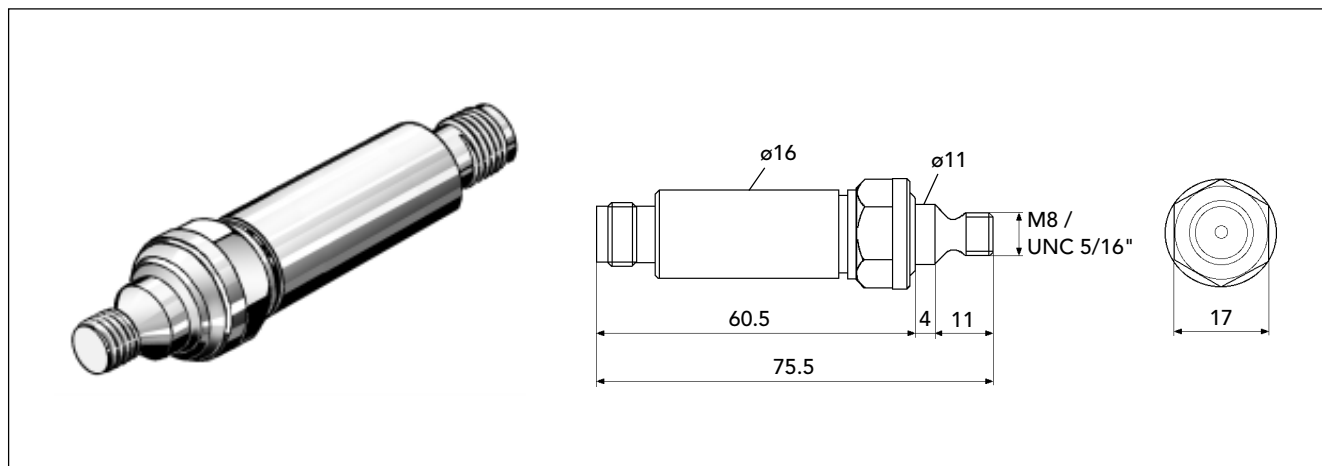


Shock Pulse Transducer with TMU

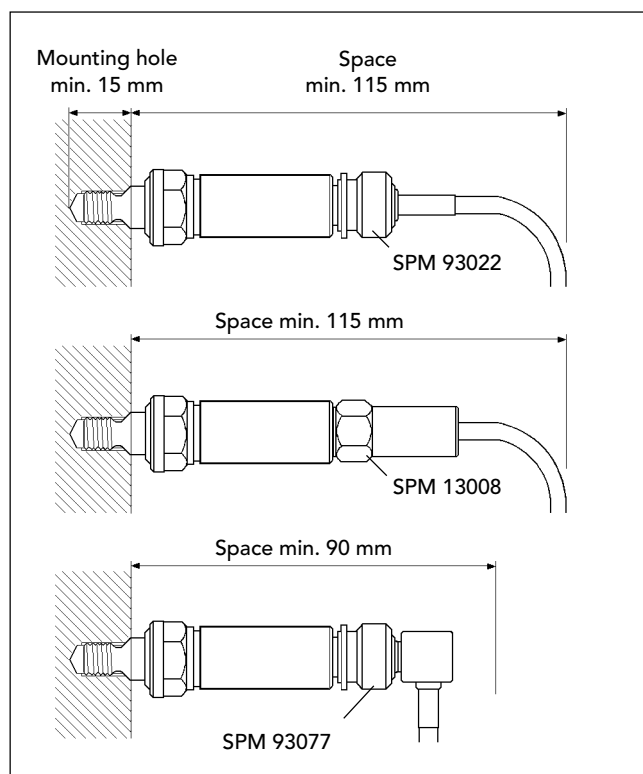


The shock pulse transducer with TMU is used in permanent SPM installations for bearing monitoring, in cases where the cable length between transducer and measuring unit exceeds 4 m. This allows a cable length of max. 100 m. The transducer with TMU is installed in a countersunk mounting hole on the bearing housing, in the same way as a standard transducer.

A shock pulse transducer with TMU (TMU = Transducer Matching Unit) converts the shock pulses emitted by the bearing into an electric signal, and stabilizes the signal for transmission via a long cable. A coaxial cable connects the transducer with a measuring terminal or measuring device.

Transducer housing and base are made of stainless, acid proof steel, suitable for aggressive environments. Thread size is M8, with UNC 5/16" as an alternative.

The transducer is normally connected with a TNC plug, SPM 93022. In moist environments, the coaxial cable must be connected with a sealing TNC plug, SPM 13008. A TNC angle plug, SPM 93077, can be used in narrow spaces.



Ordering numbers

- 42000 Shock pulse transducer with TMU, M8
- 42100 Shock pulse transducer with TMU, UNC 5/16"

Technical data

Measuring range	Max. 100 dBsv
Housing, base	Stainless acid proof steel, Sandvik Grade:1802, EN:1.4523
Design	Sealed
Connector tightness	IP65 with TNC connector IP67 with conn. SPM13008
Temperature range	-30° C to +100° C
External overpressure	Max. 0.7 MPa (7 bar)
Torque	15 Nm, max. 20 Nm
Connector	TNC jack

Mounting tools

- 82053 Countersink with fixed pilot for M8
- 81027 Holder for countersink
- 81028 Countersink, angle 90°, 12 mm dia.
- 81031 Pilot for M8
- 81032 Pilot for UNC 5/16"

To drill the mounting hole, use drill bits 6.9 mm for M8, 6.6 mm for UNC 5/16".

Torque and unscrew the transducer with a torque wrench and a long 17 mm socket (SPM 81086).

